

## Simple Solution

Ladders are the number one cause of work place injuries in the US (Bureau of Labor Statistics, 2004), yet old-fashioned, leaky, multi-stage panel filter housings often rise 15 feet above grade.

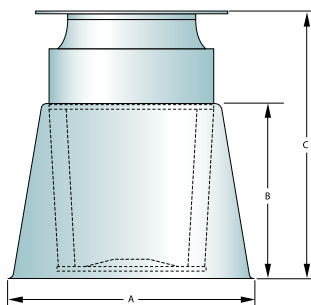
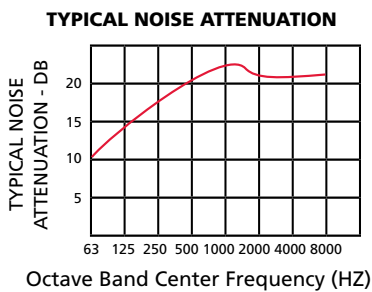
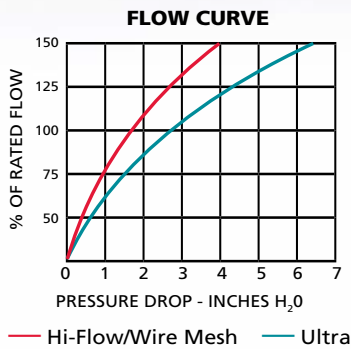
“Why not hang the filters upside down” we asked, “and cut energy consumption in half?”

Enter Tri-Vent® Technology.

The Series TM09 allows a single operator to change elements while standing on firm ground. And our largest element weighs only 24 pounds.

# Tri-Vent® Series TM09

## Top-Outlet Intake Filter Silencers



© 2018, Patented

Model #	Enduralast® Element Number		FLG Size	Nominal Dimensions			Rated Flow SCFM	Weight
	Ultra Synthetic, 99.97% eff. @ 1-μ (nom)	Hi-Flow Synthetic, 98% eff. @ 10-μ (nom)		A	B	C		
TM09RI-	E045775	E047935	6"	28	20	30	2250	65
TM09RJ-	E045775	E047935	8"	28	20	30	2900	70
TM09RJ-	E045776	E047936	8"	28	20	30	3300	75
TM09RK-	E045775	E047935	10"	28	20	30	4000	75
TM09RK-	E045776	E047936	10"	28	20	30	4250	80
TM09RL-	E045775	E047935	12"	28	20	30	5150	85
TM09RL-	E045776	E047936	12"	28	20	30	6500	85
TM09RL-	E045777	E047937	12"	38	26	36	8250	100
TM09RM-	E045776	E047936	14"	28	20	30	10,000	90
TM09RM-	E045777	E047937	14"	38	26	36	12,000	115
TM09RN-	E045777	E047937	16"	38	26	36	15,000	120
TM09RS-	E045777	E047937	18"	38	26	36	18,000	125

### Options

- Wire Mesh Medium, 60% eff. @ ISO Fine Dust
- Stainless steel or aluminum
- Custom fittings
- Special coatings
- FDA/USDA standards
- HEPA/ULPA
- Over 75 media types