

Tri-Vent® Series K08

Side Access Inline Intake Filter

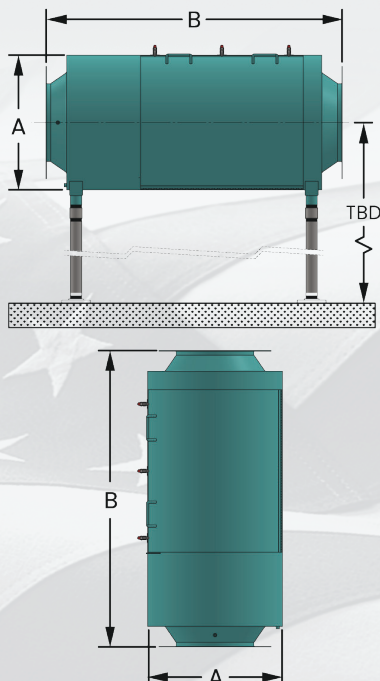
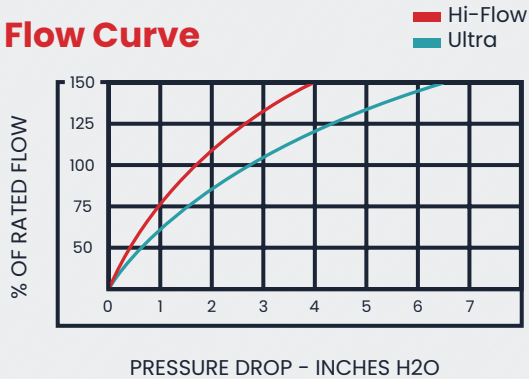


The Series K08 simplifies maintenance, by design. Change elements in minutes with No-Tools, even in tight quarters. Tri-Vent® Technology reduces restriction, extends filter element service life, and delivers ROI in less than a year. Draw clean air from outside and service indoors with the Tri-Vent® Series K08.



Shown with Easy-Level Support Legs

Flow Curve



Standard Features

- Zero-Bypass Design • Reduced Power Consumption • Powder Coated
- One-Year Return on Investment • 30-50% Less Restriction • Light Weight
- No-Tools Element Changes • Enduralast® Synthetic Media

Options

- Custom fittings • Special coatings • FDA/USDA standards
- Stainless Steel • RAL Color Matching

Model #	Enduralast® Element Number		ANSI FLG Size	Dimensions		Rated Flow (SCFM)	Weight (LBS)
	Ultra Synthetic, 99.97% efficient @ 1-μ (nom)	Hi-Flow Synthetic, 98% efficient @ 10-μ (nom)		A	B		
K08RII	E045775	E047935	6	23	42	2250	125
K08RJJ	E045775	E047935	8	23	42	2900	125
K08RJJ	E045776	E047936	8	23	50	3300	160
K08RKK	E045775	E047935	10	23	42	4000	125
K08RKK	E045776	E047936	10	23	50	4250	160
K08RLL	E045775	E047935	12	23	42	5150	140
K08RLL	E045776	E047936	12	23	50	6500	175
K08RLL	E045777	E047937	12	23	62	8250	250
K08RMM	E045777	E047937	14	29	62	12,000	260
K08RNN	E045777	E047937	16	29	62	15,000	270
K08RSS	E045777	E047937	18	29	62	18,000	280